



# IAQ FAN CYCLE TIMER | IAQ1040

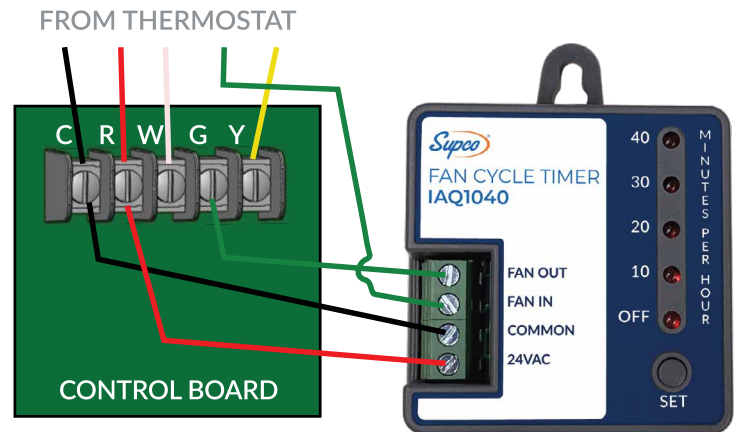
## HELP YOUR CUSTOMERS GET THE MOST OUT OF THEIR IAQ ACCESSORIES

The IAQ1040 Fan Cycle Timer accurately cycles HVAC evaporator and furnace fans through low voltage thermostat connections. During 'in between' seasons, when there is no call for heating and cooling, this can help maximize the performance of Indoor Air Quality (IAQ) accessories that may be connected to the system.

- ✔ Intermittently operates fan or blower with selectable air circulation times of 10, 20, 30 or 40 min "ON" time per hour when there is no call for heating or cooling
- ✔ Provides a delay function when AC shuts off to prevent excess moisture circulation
- ✔ Ideal for systems with thermostats that do not have an intermittent fan cycle



### IAQ1040 WIRING:



### FEATURES:

- Button selection for "Fan ON" cycle time in increments of 10, 20, 30 or 40 minutes per hour
- Monitors the "Fan On" green wire from the thermostat and runs the selected On/Off cycle as long as the thermostat doesn't call for heat/cool
- LEDs indicate when fan is running or in off-cycle
- Provides a delay function when AC shuts off to prevent bringing excessive moisture from water condensation on the AC coil into the room

### SPECIFICATIONS:

Voltage: 18 to 30 VAC  
 Current: 5 Amps AC  
 Dimensions: 2.2" x 2.2" x 1"

